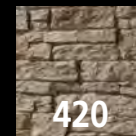
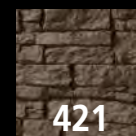


PIZARRA NEPAL



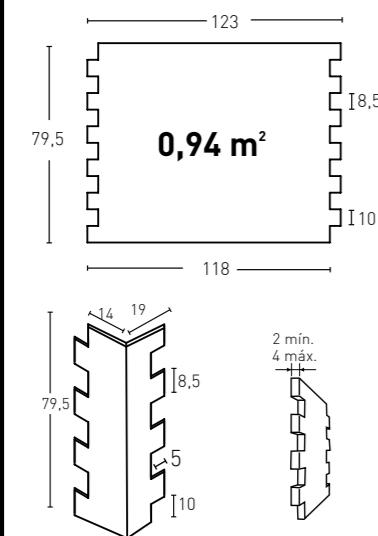
E Blanco Arena
EN Sandy White
FR Sable Blanc
DE Sand Weiss
I Bianco Sabbia
NL Antiek wit



E Marrón
EN Brown
FR Marron
DE Braun
I Marrone
NL Bruin



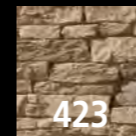
E Gris
EN Grey
FR Gris
DE Grau
I Grigio
NL Grijs



* Consultar fecha de entrega

| Producto | COD | Descripción | KG | | | PR | HD | chf/Stk | chf/Stk |
|--------------------------|-----|--|-------------------------|-------|--|----|----|---------|---------|
| | | 420 Panel Pizarra Nepal Blanco Arena | 7-8Kg | 15-20 | | | | 158.95 | 188.60 |
| | | 420-E Ángulo Pizarra Nepal Blanco Arena | 2-3Kg | -- | | | | 112.95 | * |
| Montagematerial | | | | | | | | | |
| | | MSA-10 Fugenkitt Beige | 1 Kartusche 2-3 Platten | 16.10 | | | | | |
| | | PTX-01 Deckfarbe Beige Pizarra | 1 Spray 8 Platten | 23.00 | | | | | |
| | | PTE-22 Altmacherfarbe Grau | 1 Spray 15 Platten | 23.00 | | | | | |
| Montagematerial optional | | | | | | | | | |
| | | MSA-3 Klebekitt | 1 Kartusche 4-5 Platten | 23.00 | | | | | |
| | | PTE-24 Altmacherfarbe Rot | 1 Spray 15 Platten | 23.00 | | | | | |
| | | PTE-21 Altmacherfarbe Braun | 1 Spray 15 Platten | 23.00 | | | | | |
| Producto | COD | Descripción | KG | | | PR | HD | chf/Stk | chf/Stk |
| | | 421 Panel Pizarra Nepal Marrón | 7-8Kg | 15-20 | | | | 158.95 | 188.60 |
| | | 421-E Ángulo Pizarra Nepal Marrón | 2-3Kg | -- | | | | 112.95 | * |
| Montagematerial | | | | | | | | | |
| | | MSA-80 Fugenkitt Braun | 1 Kartusche 2-3 Platten | 16.10 | | | | | |
| | | PTX-09 Deckfarbe Braun | 1 Spray 8 Platten | 23.00 | | | | | |
| | | PTE-35 Altmacherfarbe Rost | 1 Spray 15 Platten | 23.00 | | | | | |
| Montagematerial optional | | | | | | | | | |
| | | MSA-3 Klebekitt | 1 Kartusche 4-5 Platten | 23.00 | | | | | |
| | | PTE-37 Altmacherfarbe Braun | 1 Spray 15 Platten | 23.00 | | | | | |
| Producto | COD | Descripción | KG | | | PR | HD | chf/Stk | chf/Stk |
| | | 422 Panel Pizarra Nepal Gris | 7-8Kg | 15-20 | | | | 158.95 | 188.60 |
| | | 422-E Ángulo Pizarra Nepal Gris | 2-3Kg | -- | | | | 112.95 | * |
| Montagematerial | | | | | | | | | |
| | | MSA-30 Fugenkitt Grau | 1 Kartusche 2-3 Platten | 16.10 | | | | | |
| | | PTX-03 Deckfarbe Grau | 1 Spray 8 Platten | 23.00 | | | | | |
| | | COMP-09 Esparto Rot | 1 Spray 15 Platten | 3.45 | | | | | |
| Montagematerial optional | | | | | | | | | |
| | | MSA-3 Klebekitt | 1 Kartusche 4-5 Platten | 23.00 | | | | | |
| | | PTE-24 Altmacherfarbe Rot | 1 Spray 15 Platten | 23.00 | | | | | |
| | | PTE-21 Altmacherfarbe Braun | 1 Spray 15 Platten | 23.00 | | | | | |

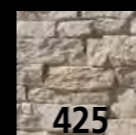
PIZARRA NEPAL



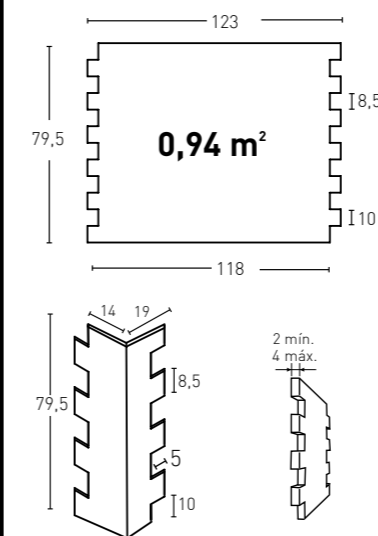
E Marrón Arena
EN Sandy Brown
FR Marron Sable
DE Sand Braun
I Marrone Sabbia
NL Antiek Lichtbruin



E Antracita
EN Anthracite
FR Anthracite
DE Anthrazit
I Antracite
NL Zwart



E Blanco Italia
EN Italian White
FR Blanc Cassé
DE Italienisches Weiss
I Bianco Italia
NL Wit



* Spezielle Lieferfristen beachten

| Producto | COD | Descripción | KG | | | PR | HD | chf/Stk | chf/Stk |
|--------------------------|-----|---|-------------------------|-------|--|----|----|---------|---------|
| | | 423 Panel Pizarra Nepal Marrón Arena | 7-8Kg | 15-20 | | | | 158.95 | 188.60 |
| | | 423-E Ángulo Pizarra Nepal Marrón Arena | 2-3Kg | -- | | | | 112.95 | * |
| Montagematerial | | | | | | | | | |
| | | MSA-20 Fugenkitt Beige | 1 Kartusche 2-3 Platten | 16.10 | | | | | |
| | | PTX-02 Deckfarbe Beige Juntas | 1 Spray 8 Platten | 23.00 | | | | | |
| | | PTE-33 P.Caleado+Comp6 | 1 Spray 15 Platten | 25.30 | | | | | |
| Montagematerial optional | | | | | | | | | |
| | | MSA-3 Klebekitt | 1 Kartusche 4-5 Platten | 23.00 | | | | | |
| | | PTE-31 Altmacherfarbe Haut | 1 Spray 15 Platten | 23.00 | | | | | |
| | | PTE-36 Altmacherfarbe Rötlich | 1 Spray 15 Platten | 23.00 | | | | | |
| Producto | COD | Descripción | KG | | | PR | HD | chf/Stk | chf/Stk |
| | | 424 Panel Pizarra Nepal Antracita | 7-8Kg | 15-20 | | | | 158.95 | 188.60 |
| | | 424-E Ángulo Pizarra Nepal Antracita | 2-3Kg | -- | | | | 112.95 | * |
| Montagematerial | | | | | | | | | |
| | | MSA-60 Fugenkitt Antrazit | 1 Kartusche 2-3 Platten | 16.10 | | | | | |
| | | PTX-19 Deckfarbe Antrazit | 1 Spray 6 Platten | 23.00 | | | | | |
| Montagematerial optional | | | | | | | | | |
| | | MSA-3 Klebekitt | 1 Kartusche 4-5 Platten | 23.00 | | | | | |
| Producto | COD | Descripción | KG | | | PR | HD | chf/Stk | chf/Stk |
| | | 425 Panel Pizarra Nepal Blanco Italia | 7-8Kg | 15-20 | | | | 158.95 | 188.60 |
| | | 425-E Ángulo Pizarra Nepal Blanco Italia | 2-3Kg | -- | | | | 112.95 | * |
| Montagematerial | | | | | | | | | |
| | | MSA-70 Fugenkitt Weiss It. | 1 Kartusche 2-3 Platten | 16.10 | | | | | |
| | | PTX-20 Deckfarbe Weiss Italia | 1 Spray 8 Platten | 23.00 | | | | | |
| | | PTE-22 Altmacherspray Grau | 1 Spray 15 Platten | 23.00 | | | | | |
| Montagematerial optional | | | | | | | | | |
| | | MSA-3 Klebekitt | 1 Kartusche 4-5 Platten | 23.00 | | | | | |
| | | PTE-24 Altmacherfarbe Rot | 1 Spray 15 Platten | 23.00 | | | | | |
| | | PTE-21 Altmacherfarbe Braun | 1 Spray 15 Platten | 23.00 | | | | | |